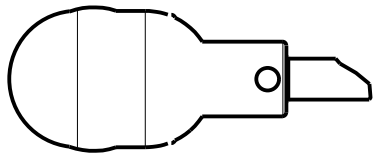
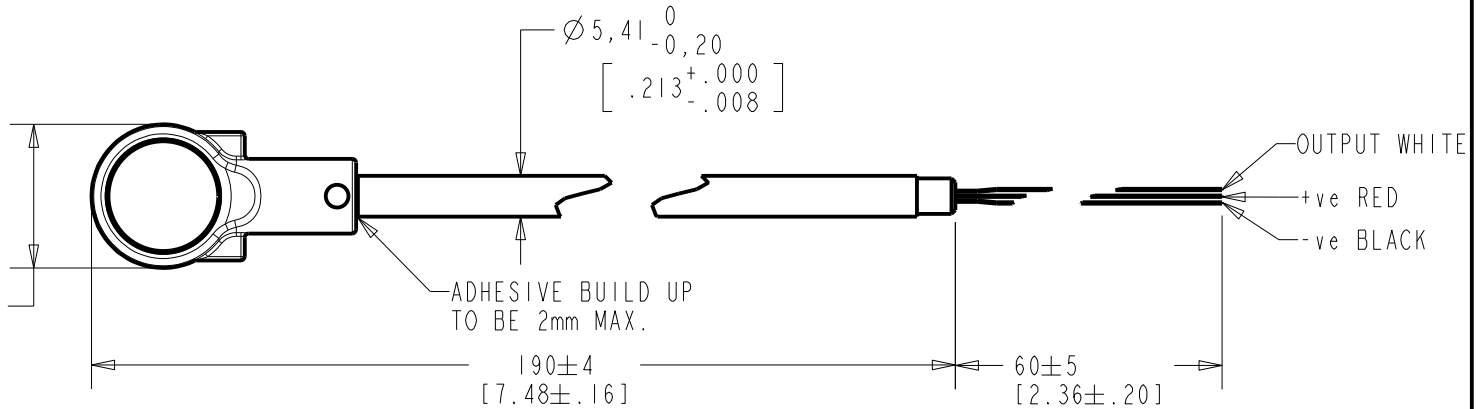


FB-EM-30348-000  
SHT 1.1

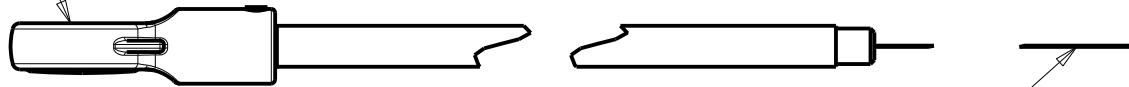


TOP VIEW  
W/WINDSHIELD SHOWN  
SCALE 1:1

$\varnothing 19,0 \pm 0,3$   
[.748 ± .012]



PLASTIC HOUSING, BLACK



WIRES  
2mm STRIPPED & TINNED ENDS

WIRE COLOR			WEIGHT GRAMS
+ve	OUTPUT	-ve	
RED	WHITE	BLACK	---

DIMENSIONS IN MILLIMETERS [INCHES]

Revision	C.O. #	Implementation Date	RELEASE LEVEL	REVISION
C	C40100518	11-25-10	Active	C
B	C10107748	8-12-08		
A	C10107379	6-26-08		

SCALE:

1:1

DO NOT SCALE DRAWING

TITLE:

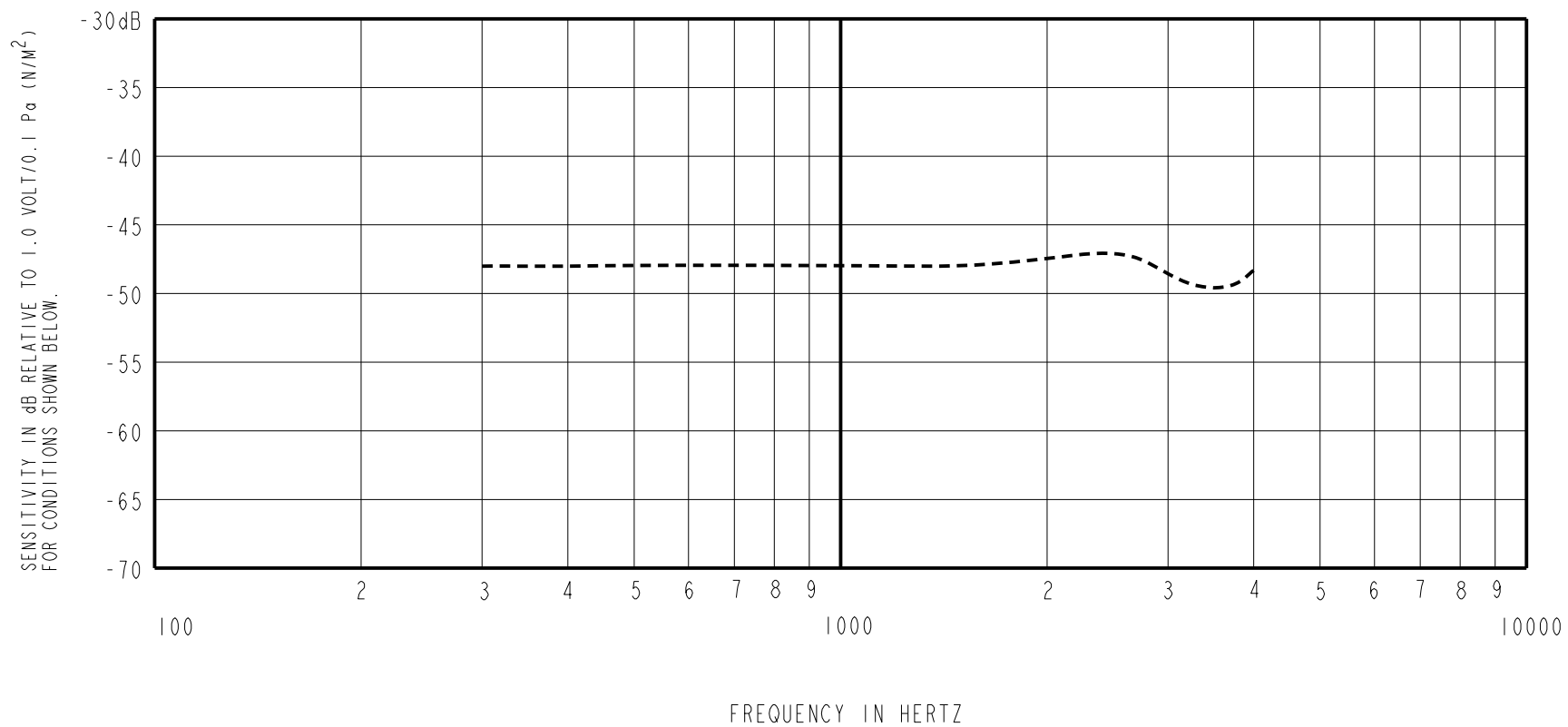
BOOM MICROPHONE FB-EM-30348-000

OUTLINE DRAWING

SHT 1.1

DR. BY	DATE
TT	6-26-08
CK. BY	DATE
GJP	7-15-08
APP. BY	DATE
GJP	7-15-08

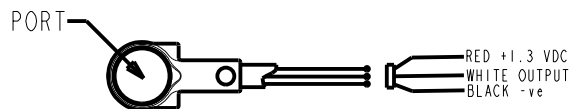
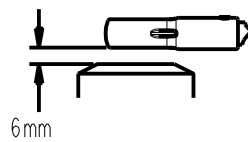
**KNOWLES ELECTRONICS**  
ITASCA, ILLINOIS U.S.A.



FREQUENCY	SENSITIVITY			DEVICE CONFORMITY	
	MIN.	NOM.	MAX.	RANGE OF DEVIATION FROM 1KHz	
300	---	-48.0	---	-3.0	+3.0
1000	-51.0	-48.0	-45.0	0.0	0.0
4000	---	-47.0	---	-3.0	+5.0

NOTES:

- MICROPHONE TO BE FUNCTIONAL WITH 10 VDC SUPPLY.
- SENSITIVITY VALUES INDICATED ON THIS SPECIFICATION ARE VALID AT 50% HUMIDITY.
- TEST CONDITIONS:  
HEAD OF BOOM EXPOSED TO 74 dB SPL SWEPT SOUND FIELD AT 6mm FROM VOICE APERTURE.  
ARTIFICIAL VOICE:  
B & k 4227 MOUTH SIMULATOR.
- FOR MICROPHONE CAPSULE SPEC. SEE DRAWING EK-23132-C36 SHEET 2.1.
- SURVIVES 10m SUBMERSION BASED ON QUALIFICATION TESTING. 100% TEST 30 MINUTES 1m SUBMERSION; SENSITIVITY WITHIN 3dB OF INITIAL SENSITIVITY AFTER DRIED FOR 30 MINUTES AT ROOM TEMPERATURE.



LEAD IDENTIFICATION  
& TEST CIRCUIT

**KNOWLES ELECTRONICS**  
ITASCA, ILLINOIS U.S.A.

Revision	C.O. #	Implementation Date	RELEASE LEVEL	REVISION
C	C40100518	11-25-10	<b>Active</b>	<b>C</b>
B	C10107748	8-12-08		
A	C10107379	6-26-08		
WHEN TEST LIMITS ARE USED TO ESTABLISH INCOMING INSPECTION ACCEPTANCE/REJECTION CRITERIA, CORRELATION OF TEST EQUIPMENT WITH KNOWLES IS ALSO REQUIRED FOR ELIMINATION OF EQUIPMENT AND TEST METHOD VARIATION			DR. BY	DATE
TITLE: <b>BOOM MICROPHONE</b> <b>FB-EM-30348-000</b>			TT	6-26-08
			PERFORMANCE SPECIFICATION <b>SHT 2.1</b>	
			CK. BY	DATE
			GJP	7-15-08
			APP. BY	DATE
			GJP	7-15-08